

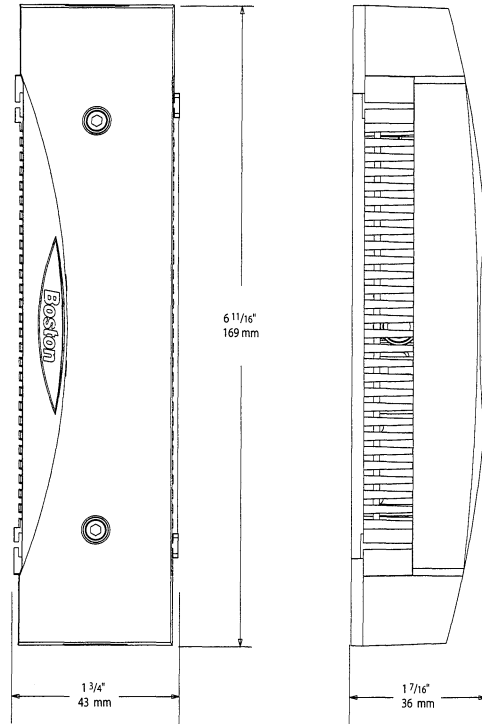


SX50 5 1/4-inch (130mm) Component Speakers

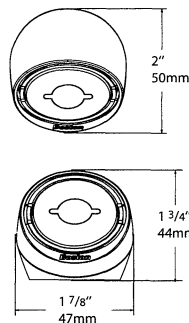
Specifications:	SX50
Nominal Size	5 1/4" (130mm)
RMS Power Handling	65w
Peak Power Handling	200w
Frequency Response (±3dB)	58-20kHz
Impedance	4Ω
Sensitivity (1w/1M)	90dB

#	Description	Quantity
1	Type S2 3/4" Tweeter	2
2	SX50 Crossover	2
3	SX50 Woofer	2
4	SX50 Woofer Grille	2
5	Flush-Angle Tweeter Mount	2
6	Surface-Angle Tweeter Mount	2
7	SX50 Crossover Cover	2
8	Hex Head Screw	8
9	Spring Clip	8
10	Terminated Woofer Wire	2
11	Terminated Tweeter Wire	2
12	Spring Clip-Front	2
13	Spring Clip-Rear	2
14	M4x10mm (3/8")	2
15	M3x12mm (1/2")	2
16	M4x20mm (3/4")	8
17	#6 x 3/8" Silver Socket Head Screw	4
18	Woofer Gasket	2
not shown	16/18AWG. Connector Barrel	8
not shown	Hex Key	1

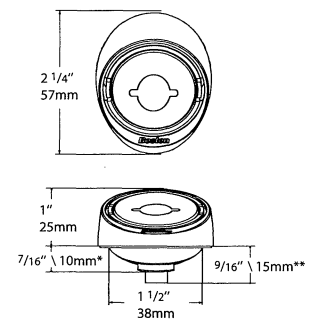
Crossover Dimensions



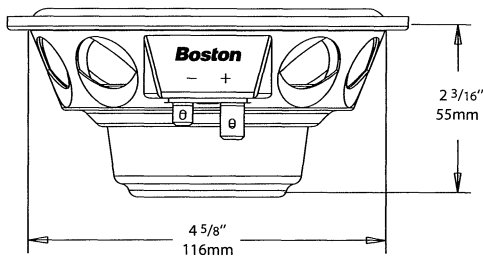
Surface-Angle Tweeter Mount Dimensions



Flush-Angle Tweeter Mount Dimensions



Woofer Dimensions



Boston Acoustics, Inc. 300 Jubilee Drive Peabody, Massachusetts 01960 U.S.A. bostonacoustics.com
 © 2005 Boston Acoustics, Inc. All rights reserved. Boston, Boston Acoustics, and the Boston Acoustics logo are registered trademarks of Boston Acoustics, Inc.

042-002333-0

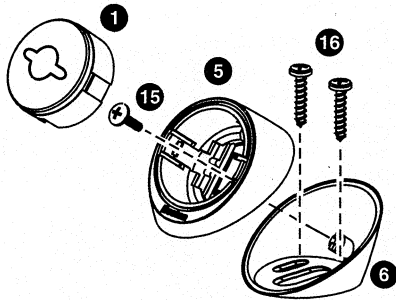
* Depth Without Spring Clip
 ** Depth With Spring Clip



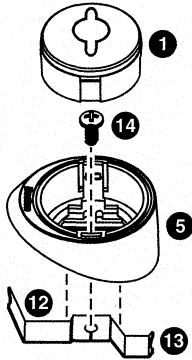


SX50 5 1/4-inch (130mm) Component Speakers

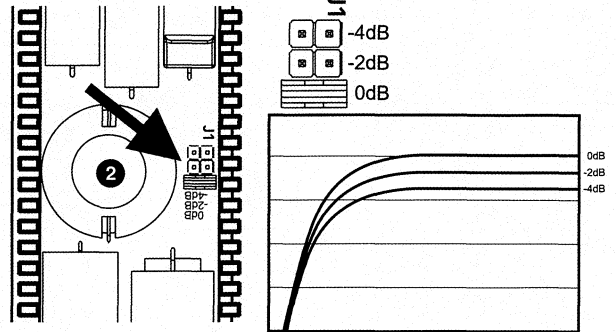
Surface-Angle Mount



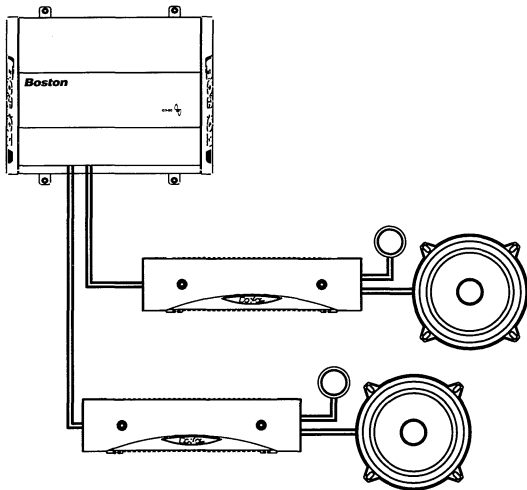
Flush-Angle Mount



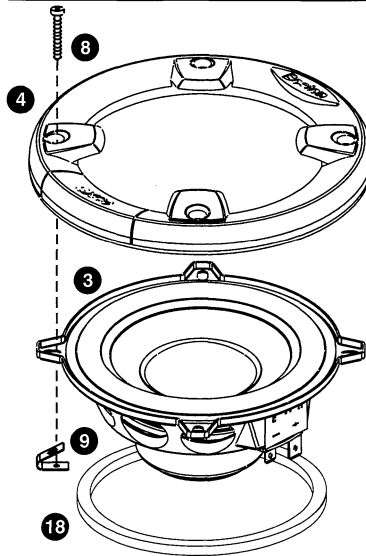
Tweeter Level Adjustment



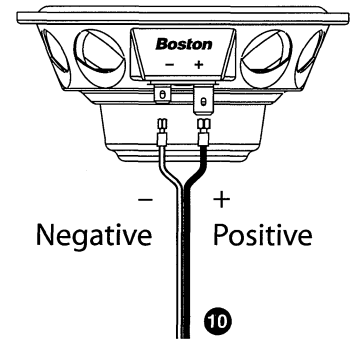
System Wiring



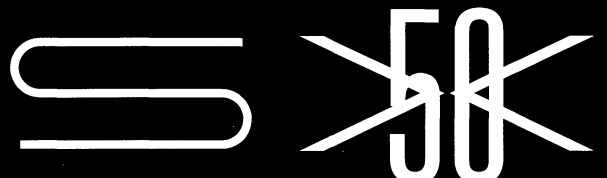
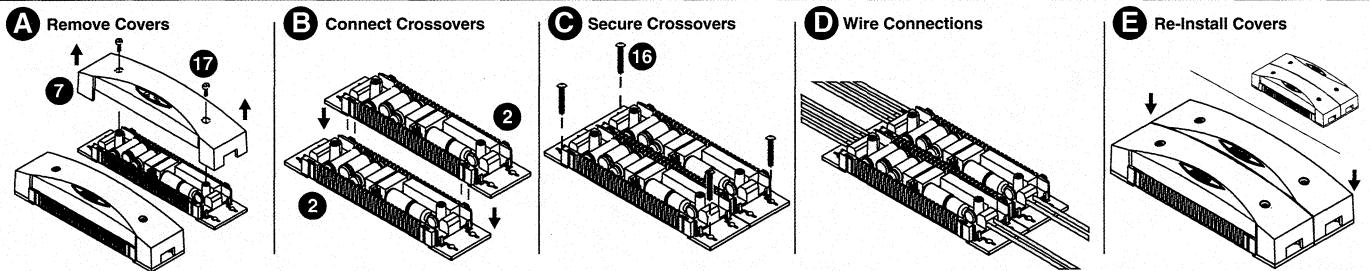
Grille Installation



SX50 Woofer Wiring



Connecting Crossover Cases



Boston

Boston Acoustics

Car Audio Limited Warranty Information for the United States and Canada

Boston Acoustics offers a limited warranty to the original purchaser of any Boston Acoustics car audio products or accessories purchased from an authorized dealer after January 1, 2003. This limited warranty protects against defects in materials or workmanship for a period of one (1) year from the date of purchase and will be repaired without charge for parts and labor.

When an authorized Boston Acoustics retailer installs your Boston Acoustics automotive component or coaxially mounted speakers, or power amplifier, the limited warranty will be extended one (1) additional year. Installation of the product must be noted on the sales receipt and presented at the time of repair.

Your responsibilities, on which the limited warranty is conditioned, are to install and use the system according to the instructions supplied with the product, to provide safe and secure transportation of the product to an authorized Boston Acoustics service representative, and to present the product proof of purchase, in the form of your sales receipt, when requesting service. The customer's sales receipt must note the model, serial number, and date of purchase from an authorized Boston Acoustics dealer.

Excluded from the limited warranty is any damage to the product that results from abuse, misuse, improper installation, accidents, shipping, or repairs/modifications by anyone other than an authorized Boston Acoustics service representative.

The limited warranty is limited to the Boston Acoustics product only and does not cover damage to any associated equipment. The limited warranty does not cover the cost of removal, re-installation, or any loss of use of the vehicle caused as a result of any warranty service.

This limited warranty is null and void if either of the following has occurred:

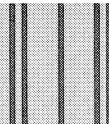
- Serial numbers are defaced or removed.
(if applicable)
- The date sticker is removed from the product.

The limited warranty gives you specific legal rights, and you may also have other rights that are provided for under local law.

Product Information <small>Use the space below to record information on your product.</small>	
Model Name:	_____
Serial Number:	_____
Date of Purchase:	_____

Boston

Boston Acoustics



Postage
Required
Post Office will
not deliver
without proper
postage.

**ATTN: PRODUCT REGISTRATION
BOSTON ACOUSTICS INC
300 JUBILEE DR
PEABODY MA 01960-4030**





Boston Acoustics® Product Registration for U.S. and Canada purchases only.

Thank you for purchasing Boston Acoustics. Your feedback will help us provide you with the best possible products and customer support, as well as valuable information when referencing your product's warranty in the future. **Data provided is the confidential property of Boston Acoustics, Inc. and is not distributed or sold to third parties.**

Please print below, or register your new product online at: www.bostonacoustics.com/prodreg

First Name _____ Last Name _____

Street Address _____ Apt. # _____

City _____ State _____ ZIP _____

E-mail _____ Phone _____ - _____ - _____

Age Group: Under 20 ___ 20 to 29 ___ 30 to 39 ___ 40 to 49 ___ 50 to 59 ___ 60 to 69 ___ 70 to 79 ___ 80 and over ___

Marital Status: Single ___ Married ___ Gender: Male ___ Female ___

Education: High School ___ Some College ___ Associate/Jr. College Degree ___ 4-Year College Degree ___ Graduate School ___

What type of Boston Acoustics product did you purchase? Home Stereo/Theater ___ Car ___ In-Wall/In-Ceiling ___ Multimedia/PC ___

Date of Purchase ____ / ____ / ____ Model Name _____ Serial # _____

(Located on a silver label on the outside of packaging.)

Store Name _____ City _____ State _____

How did you hear about this product? Boston Acoustics advertisement ___ Store salesperson ___ Store advertisement ___ Magazine review ___
Store display ___ Online review ___ Trade show ___ PC manufacturer ___ Friend/family ___
Other _____

What other brand(s) and model(s) did you consider when making this purchase?

Brand(s) _____

Model(s) _____

Thank you for completing this form. If you have any technical questions or are interested in other Boston Acoustics products, visit us on the Web at www.bostonacoustics.com, or call (978) 538-5000.