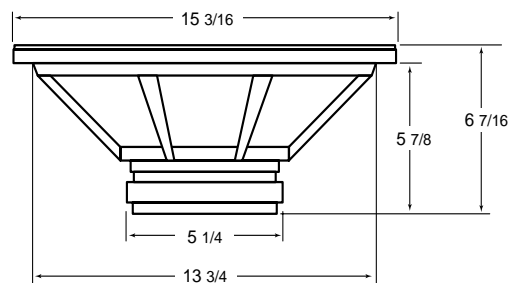


STEALTH SERIES 3 SUBWOOFERS

Stealth 15.4

Stealth 15.4 Specifications

Diameter:	15"
No. of Voice Coils:	1
Sensitivity (1W @ 1m):	97 dB
Power Handling:	250 Wrms
(cont. unclipped power per EIA RS-426A)	
Frequency Response:	30 ~ 500 Hz
Nominal Impedance:	4 Ω
Voice Coil Diameter:	2"
Mounting Diameter:	13 3/8" (33.97 cm)
Mounting Depth:	5 7/8" (14.92 cm)

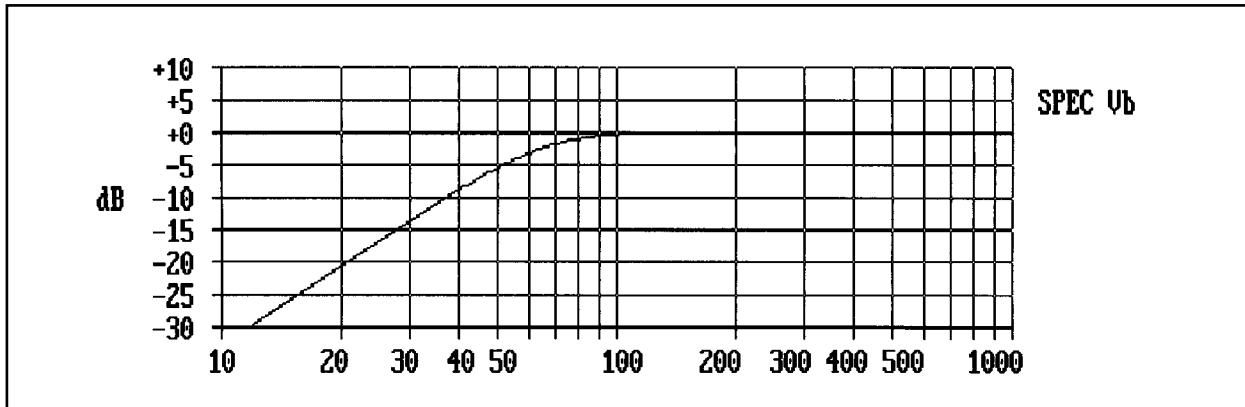


Stealth 15.4 Thiele-Small Parameters

Free-Air Resonance:	f_s	37 Hz
Total Q:	Q_{ts}	0.432
Mechanical Q:	Q_{ms}	6.84
Electrical Q:	Q_{es}	0.461
Compliance Volume:	V_{as}	3.85 ft ³
Maximum Excursion: (peak to peak)	X_{max}	± 0.500" ± 12.7 mm
Voice Coil DC Resistance:	R_{evc}	3.5 Ω
Effective Cone Area:	S_d	132.67 in ²
Driver Displacement:		.24 ft ³

Stealth-15.4 Sealed Box

Optimum Enclosure: Deep Bass



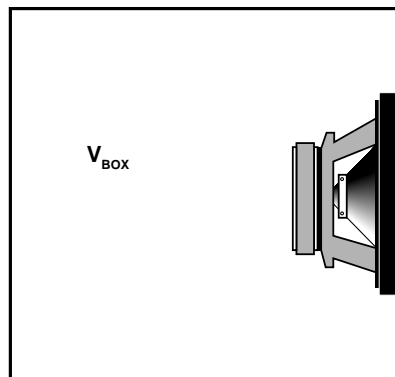
Enclosure Volume: $V_{\text{BOX}} = 1.76 \text{ ft}^3 \text{ (net)} + 0.24 \text{ ft}^3 \text{ (driver displacement)}$

Total Box Volume: 2.00 ft^3

Quality (Q): $.658$

Cutoff (F_3): 66 Hz

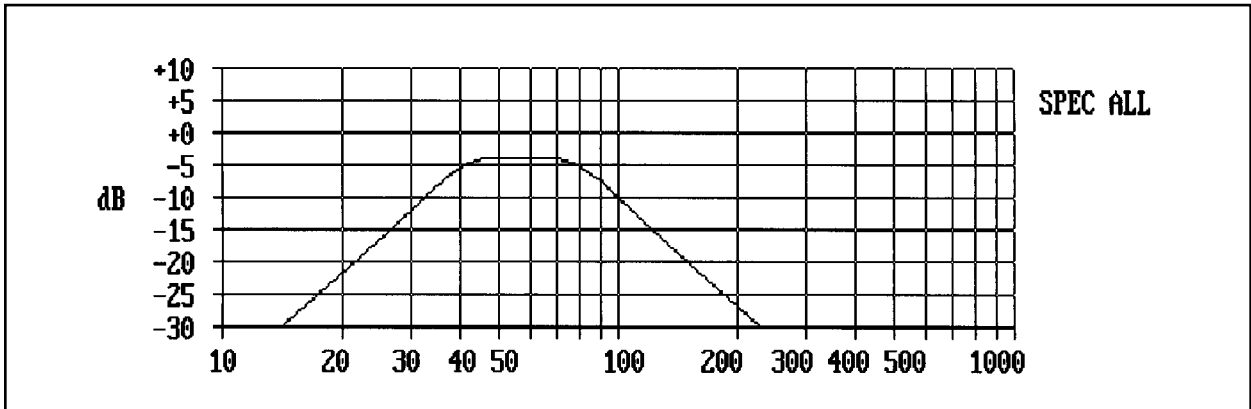
Resonance (F_c): 61 Hz



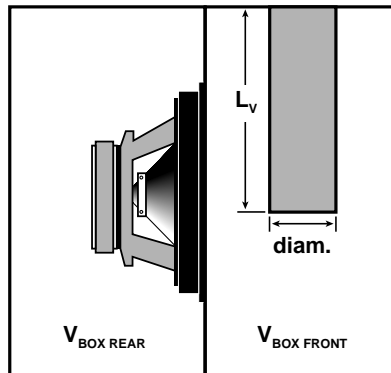
Stealth-15.4 Suspension Bandpass

(Single Reflex)

Optimum Enclosure: 57 Hz Tuning - Deep Bass



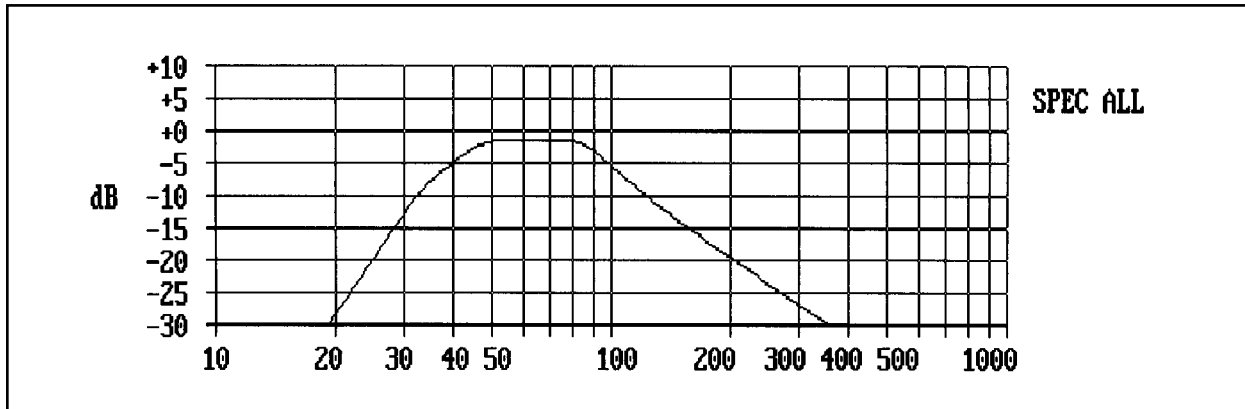
Enclosure Volume:	$V_{\text{BOX REAR}} = 2.80 \text{ ft}^3 \text{ (net)} + 0.24 \text{ ft}^3 \text{ (driver displacement)}$		
	$V_{\text{BOX FRONT}} = 1.40 \text{ ft}^3 \text{ (net)} + \text{port displacement}$		
Number of Ports:	1	2	1
Port Diameter:	6.0 in	4.0 in/ea.	3.0 in x 9.0 in (rectangular)
Total Port Area:	28.27 in ²	25.13 in ²	27.00 in ²
Port Length:	12.50 in	11.60 in/ea.	13.00 in.
Port Displacement (total):	.21 ft ³	.17 ft ³	.20 ft ³
Total Box Volume (rear):	3.04 ft ³	3.04 ft ³	3.04 ft ³
Total Box Volume (front):	1.61 ft ³	1.57 ft ³	1.60 ft ³



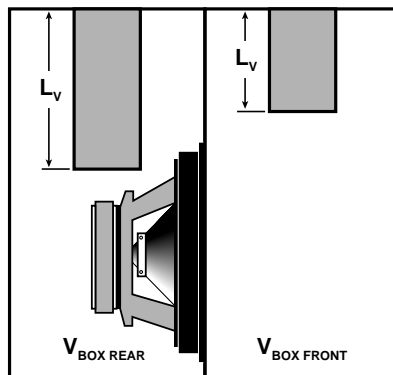
Stealth-15.4 Reflex Bandpass

(Dual Reflex)

Optimum Enclosure: Deep Bass

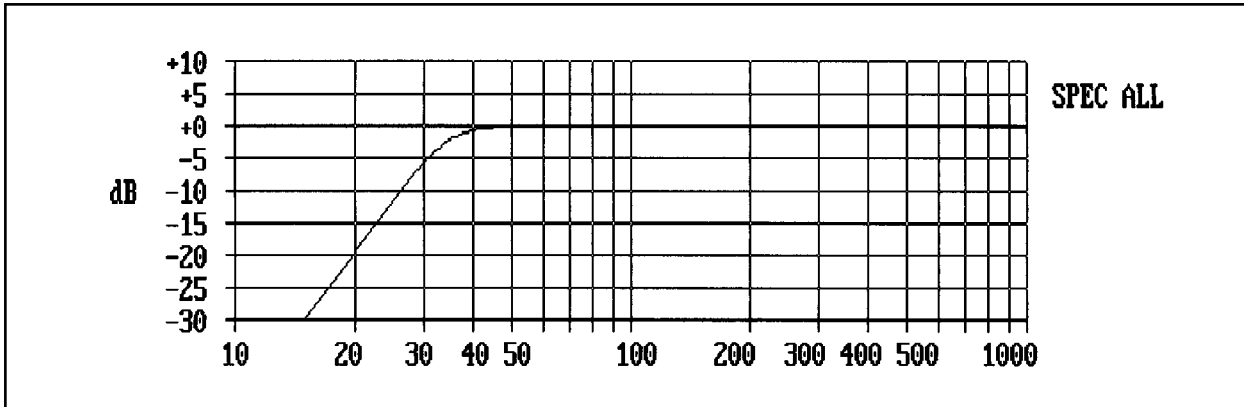


Enclosure Volume:	$V_{\text{BOX REAR}} = 2.40 \text{ ft}^3 \text{ (net)} + 0.24 \text{ ft}^3 \text{ (driver displacement)}$	
	$V_{\text{BOX FRONT}} = 1.10 \text{ ft}^3 \text{ (net)} + \text{port displacement}$	
	Rear	Front
Tuning Frequency:	30 Hz	76 Hz
Number of Ports:	1	2
Port Dimensions:	4.0 in	4.0 in
Total Port Area:	12.57 in ²	25.13 in ²
Port Length:	13.27 in	6.99 in
Port Displacement (total):	.10 ft ³	.10 ft ³
Total Box Volume:	2.74 ft ³	1.20 ft ³

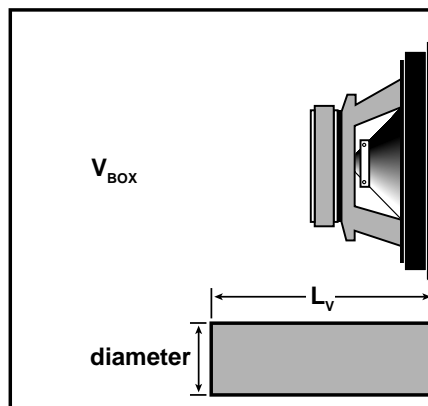


Stealth-15.4 Bass Reflex

Optimum Enclosure: 35 Hz Tuning - Deep Bass



Enclosure Volume:	$V_{\text{BOX}} = 4.60 \text{ ft}^3 \text{ (net)} + 0.24 \text{ ft}^3 \text{ (driver displacement)} + \text{port displacement}$		
Number of Ports:	1	2	1
Port Diameter:	6.0 in	4.0 in/ea.	2.0 in x 16.0 in (rectangular)
Total Port Area:	28.27 in ²	25.13 in ²	32.00 in ²
Port Length:	9.16 in	7.8 in/ea.	10.67 in
Port Displacement (total):	.15 ft ³	.12 ft ³	.18 ft ³
Total Box Volume:	4.99 ft ³	4.96 ft ³	5.02 ft ³

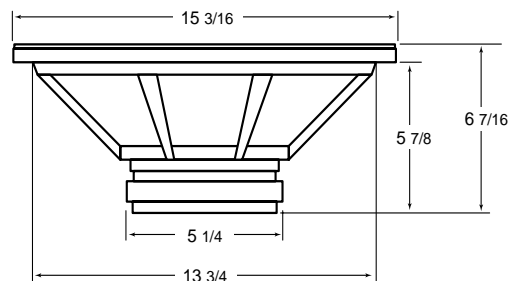


STEALTH SERIES 3 SUBWOOFERS

Stealth 15.8

Stealth 15.8 Specifications

Diameter:	15"
No. of Voice Coils:	1
Sensitivity (1W @ 1m):	97 dB
Power Handling: (cont. unclipped power per EIA RS-426A)	250 Wrms
Frequency Response:	30 ~ 500 Hz
Nominal Impedance:	8 Ω
Voice Coil Diameter:	2"
Mounting Diameter:	13 ³ / ₈ " (33.97 cm)
Mounting Depth:	5 ⁷ / ₈ " (14.92 cm)

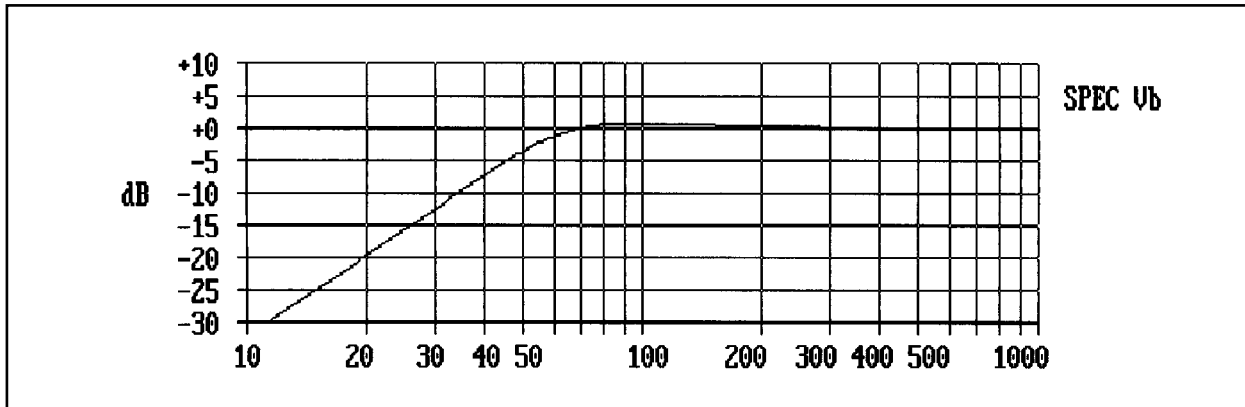


Stealth 15.8 Thiele-Small Parameters

Free-Air Resonance:	f_s	41 Hz
Total Q:	Q_{ts}	0.598
Mechanical Q:	Q_{ms}	6.73
Electrical Q:	Q_{es}	0.656
Compliance Volume:	V_{as}	3.23 ft ³
Maximum Excursion: (peak to peak)	X_{max}	$\pm .500"$ $\pm 12.7 mm$
Voice Coil DC Resistance:	R_{evc}	6.8 Ω
Effective Cone Area:	S_d	132.67 in ²
Driver Displacement:		.24 ft ³

Stealth-15.8 Sealed Box

Optimum Enclosure: Deep Bass



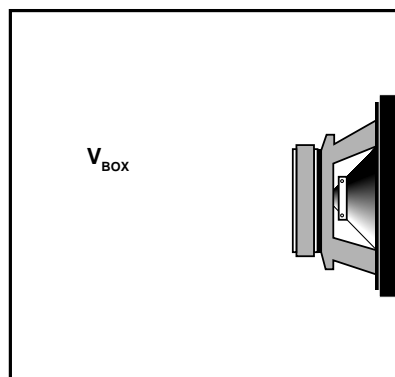
Enclosure Volume: $V_{\text{BOX}} = 2.26 \text{ ft}^3 \text{ (net)} + 0.24 \text{ ft}^3 \text{ (driver displacement)}$

Total Box Volume: 2.50 ft^3

Quality (Q): $.794$

Cutoff (F_3): 54 Hz

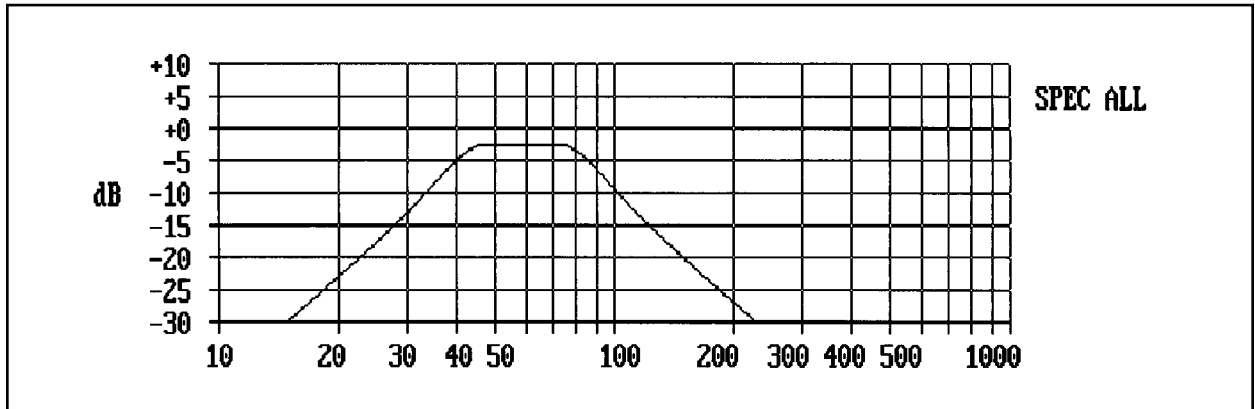
Resonance (F_c): 61 Hz



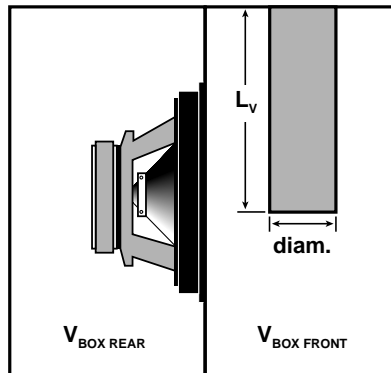
Stealth-15.8 Suspension Bandpass

(Single Reflex)

Optimum Enclosure: 59 Hz Tuning - Deep Bass



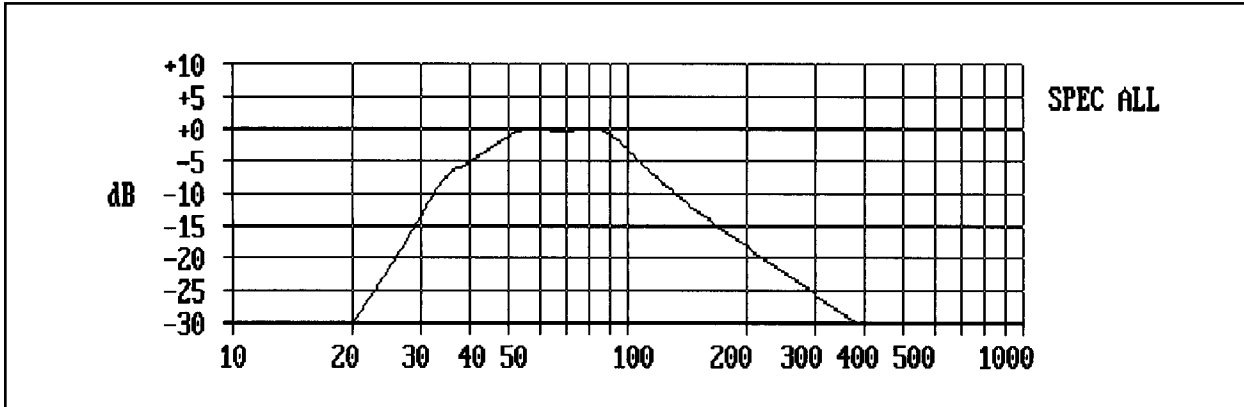
Enclosure Volume:	$V_{\text{BOX REAR}} = 3.20 \text{ ft}^3 \text{ (net)} + 0.24 \text{ ft}^3 \text{ (driver displacement)}$		
	$V_{\text{BOX FRONT}} = 1.60 \text{ ft}^3 \text{ (net)} + \text{port displacement}$		
Number of Ports:	1	2	1
Port Diameter:	6.0 in	4.0 in/ea.	3.0 in x 9.0 in (rectangular)
Total Port Area:	28.27 in ²	25.12 in ²	27.00 in ²
Port Length:	9.00 in	8.60 in/ea.	10.00 in.
Port Displacement (total):	.15 ft ³	.12 ft ³	.16 ft ³
Total Box Volume (rear):	3.44 ft ³	3.44 ft ³	3.44 ft ³
Total Box Volume (front):	1.75 ft ³	1.72 ft ³	1.76 ft ³



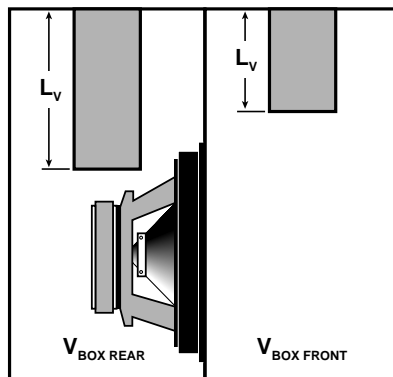
Stealth-15.8 Reflex Bandpass

(Dual Reflex)

Optimum Enclosure: Deep Bass

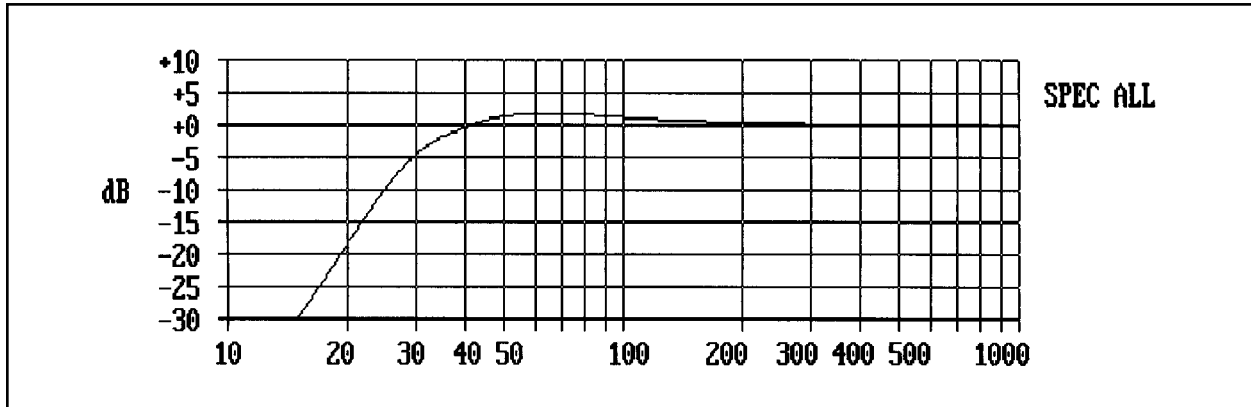


Enclosure Volume:	$V_{\text{BOX REAR}} = 2.30 \text{ ft}^3 \text{ (net)} + 0.24 \text{ ft}^3 \text{ (driver displacement)}$	
	$V_{\text{BOX FRONT}} = 1.10 \text{ ft}^3 \text{ (net)} + \text{port displacement}$	
	Rear	Front
Tuning Frequency:	30 Hz	80 Hz
Number of Ports:	1	2
Port Dimensions:	4 in	4 in
Total Port Area:	12.57 in ²	25.13 in ²
Port Length:	14.02 in	5.84 in
Port Displacement (total):	.10 ft ³	.09 ft ³
Total Box Volume:	2.64 ft ³	1.19 ft ³

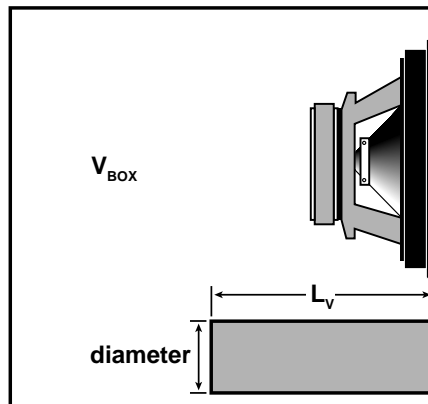


Stealth-15.8 Bass Reflex

Optimum Enclosure: 35 Hz Tuning - Deep Bass



Enclosure Volume:	$V_{\text{BOX}} = 4.60 \text{ ft}^3 \text{ (net)} + 0.24 \text{ ft}^3 \text{ (driver displacement)} + \text{port displacement}$		
Number of Ports:	1	2	1
Port Diameter:	6.0 in	4.0 in/ea.	2.0 in x 16.0 in (rectangular)
Total Port Area:	28.27 in ²	25.13 in ²	32.00 in ²
Port Length:	9.16 in	7.8 in/ea.	10.67 in
Port Displacement (total):	.15 ft ³	.12 ft ³	.18 ft ³
Total Box Volume:	4.99 ft ³	4.96 ft ³	5.02 ft ³

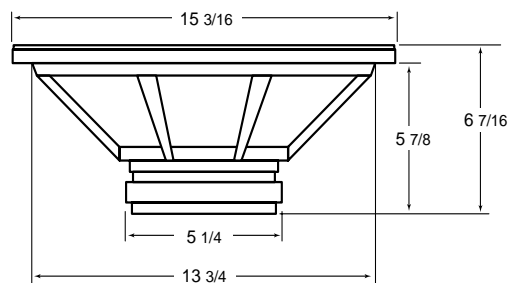


STEALTH SERIES 3 SUBWOOFERS

Stealth 15.12

Stealth 15.12 Specifications

Diameter:	15"
No. of Voice Coils:	1
Sensitivity (1W @ 1m):	97 dB
Power Handling: (cont. unclipped power per EIA RS-426A)	250 Wrms
Frequency Response:	30 ~ 500 Hz
Nominal Impedance:	12 Ω
Voice Coil Diameter:	2"
Mounting Diameter:	13 ³ / ₈ " (33.97 cm)
Mounting Depth:	5 ⁷ / ₈ " (14.92 cm)

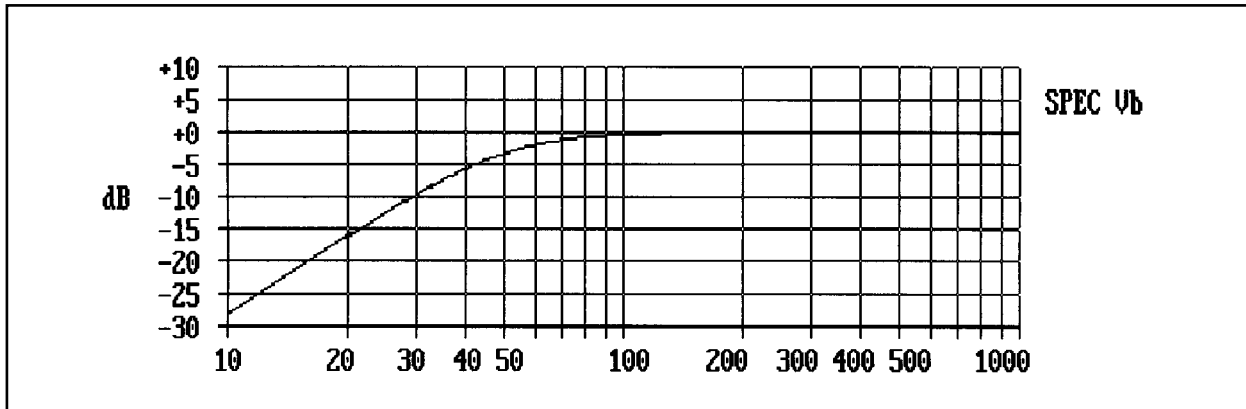


Stealth 15.12 Thiele-Small Parameters

Free-Air Resonance:	f_s	39 Hz
Total Q:	Q_{ts}	0.532
Mechanical Q:	Q_{ms}	6.08
Electrical Q:	Q_{es}	0.583
Compliance Volume:	V_{as}	3.59 ft ³
Maximum Excursion: (peak to peak)	X_{max}	± 0.500 " ± 12.7 mm
Voice Coil DC Resistance:	R_{evc}	10.8 Ω
Effective Cone Area:	S_d	132.67 in ²
Driver Displacement:		.24 ft ³

Stealth-15.12 Sealed Box

Optimum Enclosure: Deep Bass



Enclosure Volume: $V_{\text{BOX}} = 5.28 \text{ ft}^3 \text{ (net)} + 0.72 \text{ ft}^3 \text{ (driver displacement)}$
(3 woofers common cavity)

Total Box Volume: 6.00 ft^3

Quality (Q): $.779$

Cutoff (F_3): 58 Hz

Resonance (F_c): 63 Hz

