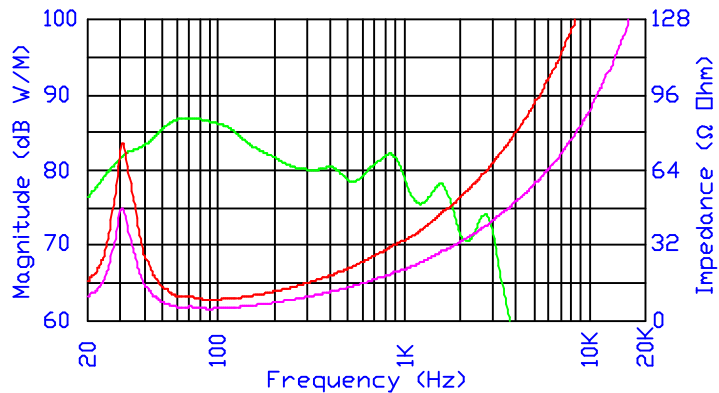
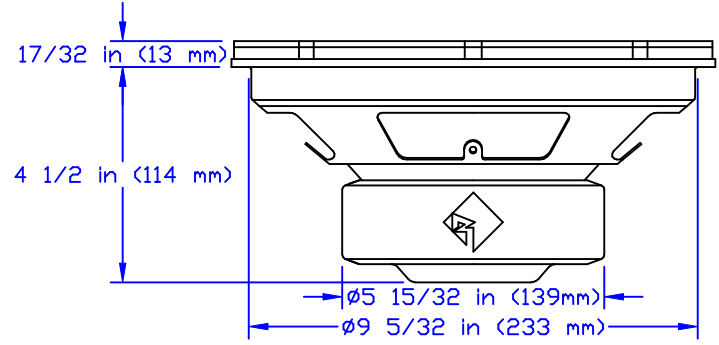
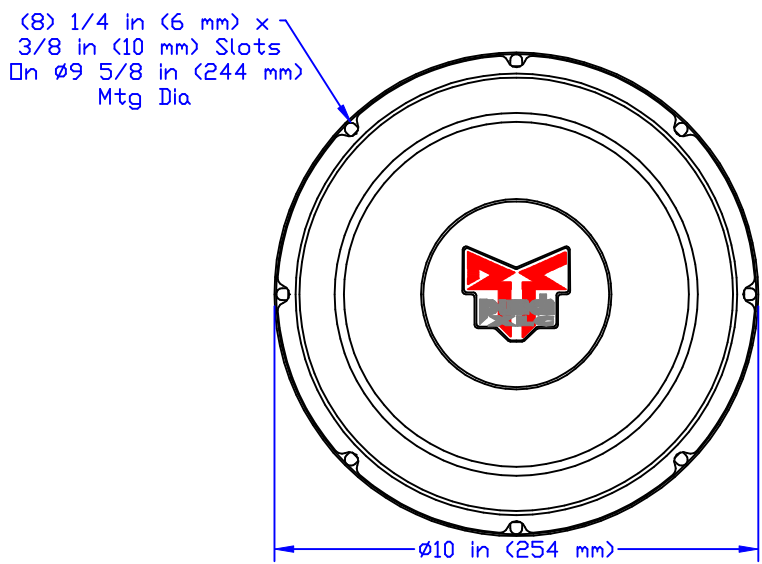


TECHNICAL DATA	RFP2410	RFP2810
Nominal Diameter	10 in [254 mm]	10 in [254 mm]
Magnet Weight	30oz [850.5g]	30oz [850.5g]
Frequency Range	30-500Hz	32-500Hz
Nominal Impedance	4Ω	8Ω
DC Resistance (Re)	3.7Ω	7.3Ω
Resonance Frequency (fs)	30Hz	32Hz
Mechanical Q Factor (Qms)	5.38	5.23
Electrical Q Factor (Qes)	0.39	0.47
Total Q Factor (Qts)	0.36	0.43
Effective Cone Area (Sd)	54.26 in <sup>2</sup> [.035m <sup>2</sup> ]	54.26 in <sup>2</sup> [.035m <sup>2</sup> ]
Equivalent Air Volume (Vas)	1.625 ft <sup>3</sup> [46L]	1.625 ft <sup>3</sup> [46L]
Compliance (Cms)	2.65E-04	2.65E-04
Moving Mass (Mms)	3.739oz [106g]	3.281oz [93g]
Voice Coil Diameter	2 in [50.8 mm]	2 in [50.8 mm]
Voice Coil Winding Width	.979 in [24.9 mm]	.979 in [24.9 mm]
Voice Coil Former Material	5 Mil Aluminum	5 Mil Aluminum
Voice Coil Inductance	3.3mH	5.2mH
Force Factor (BL)	13.8Tm	16.6Tm
Linear Excursion (Xmax)	.31 in [8 mm]	.31 in [8 mm]
Sensitivity (Spl)	87dB	87dB
Operating Power (Pe)	200W RMS	200W RMS
Specifications May Vary Per Manufacturing Tolerances And Are Subject To Improvement Without Notice. Frequency Response Curve Shown Represents Both 4Ω And 8Ω Units. Upper (Red) Impedance Curve For 8Ω Unit; Lower (Magenta) Impedance Curve For 4Ω Unit.		



PRODUCT(S):	RFP2410/RFP2810	RELEASE:	#1
DATE: JUL 27, 1998	TOLERANCE: N/A	SCALE: 1/4 x FULL	DRWN BY:
PART NAME:	10 IN PUNCH XLC WOOFER	APPR BY:	

Rockford Acoustic Designs  
609 Myrtle North West  
Grand Rapids, MI 49504  
Phone: 616-456-9528  
Fax: 616-456-5648

AutoCad R.14